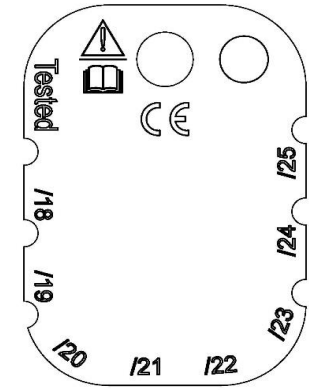
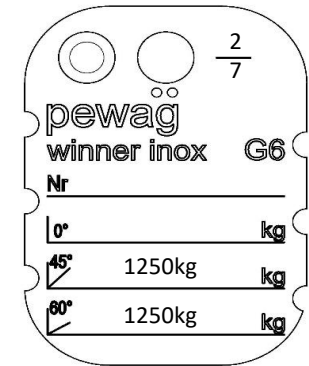


total length:12,339m



Sling tag has to be mounted directly into the first sublink with MGWI 5x28

<b>Name:</b>	PCWI WOX 7-6
<b>Drawing number:</b>	20623
<b>Date:</b>	6/25/2018 10:50:00 AM
<b>Draftsman:</b>	Piotr Kwaczynski
<b>Comments:</b>	
<b>Customer:</b>	pewag
<b>Loading capacity:</b>	0°-45°: 1250kg 45°-60°: 1250kg
<b>Weight:</b>	17,2kg

Sling-finish: blank. Schematic drawing - not true to scale.

Bill of materials				
Pos	Article number	Material short text	Amount	Unit
1	38112	ROSTB.ANS.KT WN-G6-WOX 7X21 LFM NSW	10,92	M
2	50346	ROSTB.GLIED WN G60 AWI 13-6	8	S
3	87039	ROSTB. SCHÄKEL SSWI 1,25t-S	2	S
4	54465	ROSTB.GLIED VORG.GESCHL.WN G60 BWI 9-6	20	S
5	50348	ROSTB.GLIED WN G60 AWI 16-6	1	S
6	55554	TK-ANH.Neutral	1	S
7	18378	ROSTB.GLIED VORG.GESCHL.MGWI 5x28	1	S

<b>Check:</b>	
---------------	--